



Bollards

The primary objective for Somfy O&O bollards is to put in a safe way to Access.

IDEAL FOR:

- Hotels
- Strategic Installations:
 - Airports
 - Defense
 - Government Building
 - Industrial etc.

Somfy O&O automatic, gas actuated and fixed bollards are specially designed to adapt perfectly in the existing spaces.

- Wide Range
- Simplicity
- Reliability
- Flexibility to meet every need



OUR STRENGTHS ARE:

- Engineering Expertise
- Innovative Design
- Simplified installation
- Anti-Debris System
- Performance
- Safety
- Maintenance

Our group companies



Automatic Bollards

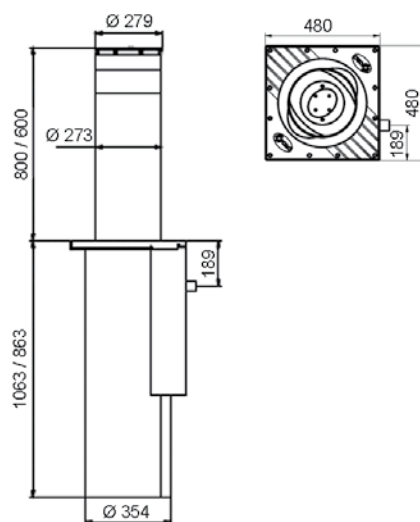
Hydraulic Bollard Grizzly



For intensive use, tested over 3,000 manoeuvres a day, the hydraulic bollard Grizzly is extremely easy to maintain with the square shaped flange and the attractive design.

With its hydraulic technology Grizzly requires less digging for installation.

General overall size



Technical characteristics

- # 230 Vac 50 Hz supply voltage
- # Opening time 5 seconds H: 600 mm and 6 seconds H: 800 mm
- # Safety valve that reverses the direction if an obstacle is detected
- # Bollard available also in the special safety version "SCT", which in the event of a blackout keeps the cylinder up
- # IP 67 protection level
- # Working temperature from -15 °c to + 60 °c and -30 °c + 60 °c with "TERMON" integrated heating circuit
- # Cylinder in RAL 7022 painted iron or stainless steel with cylinder thickness 6 to 10 mm Ø 273 mm
- # External control unit module CDS able to manage up to 4 bollards
- # Automatic hand-maneuver in the event of a blackout except the "SCT" version
- # For intensive use - 3,000 maneuvers a day
- # High break in resistance.



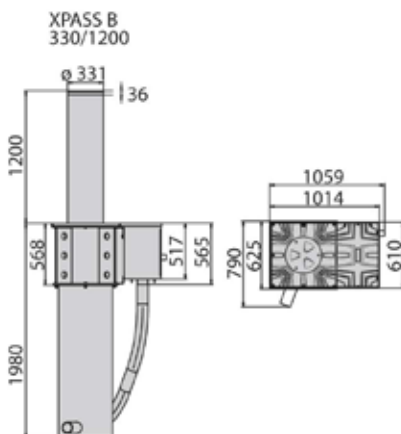
Automatic Bollards

OAK 1200.12 Bollard



This heavy duty product is developed for the protection and defence of sensitive and/or strategic sites such as prestigious buildings, hotels etc. K12 rated in accordance to ASTM2656:2007 M50 including PAS68:2010 7500/80/ N3 AND IWA14-1:2013 V17200[N3C]/80/90. Each bollard can be fitted with a 100mm wide reflective strip and is available in blue grey (RAL 7031). Designed for lowering functionality after impact. This bollard has Interfaces for remote control.

General overall size



Technical characteristics

- # Independent hydraulic pump for each bollard: in case of pump failure, the other bollards keep working
- # Easy access to hydraulic pump for simplified servicing, with anti-tampering switch
- # Easy removal of bollard tube and hydraulic ram
- # Impact resistance: up to 2 100 000 J (estimated)
- # Standard rising time: ≤ 5.3 s @ 25 °C ambient temperature
- # Emergency rising time: ≤ 2.5 s (with additional device EFO, option)
- # Lowering time: 4.0 s typical, (factory adjusted, on-field adjustable)
- # Max operating frequency: up to 2 000 op./day
- # MCBF: 3 000 000 cycles
- # Sensors for bollard positions: fully up and fully retracted
- # Obstacle sensing, adjustable (with/without movement inversion)
- # Bollard top cover with LED lights and buzzer
- # IP Grade: IP67
- # EFO device for "Emergency" rising time (option)
- # Bollard will stay up even in case of power loss. It is possible to lower the bollard by means of a mechanical key



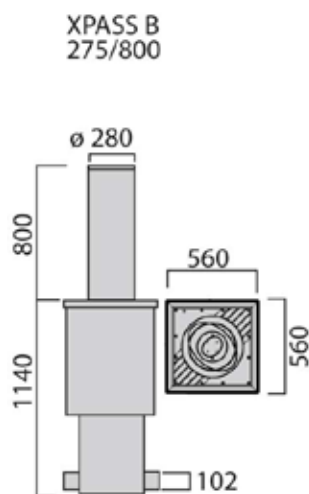
Automatic Bollards

OAK 800.4 Bollard



This heavy duty product is developed for the protection and defence of sensitive and/or strategic sites such as prestigious buildings, hotels etc. K4 rated in accordance to PAS68:2010 7500/50/N2, including ASTM2656:2007 M30 and IWA14-1:2013 Blocker V/7200[N2A]/48/90. Each bollard can be fitted with a 100mm wide reflective strip and is available in blue grey (RAL 7031). Comes with easy access to hydraulic pump for simplified servicing, protected with anti-tampering switch sensor (option)

General overall size



Technical characteristics

- # Independent hydraulic pump for each bollard: in case of pump failure, the other bollards keep working
- # Impact resistance: up to 730 000 J (calculated)
- # Standard rise time: ≤ 7.0 s
- # Lowering time: typ 4.0 s
- # Max operating frequency: up to 2 000 op./day
- # MCBF: 3 000 000 cycles
- # Obstacle sensing, configurable (with/without movement inversion)
- # Bollard top cover with LED lights and buzzer
- # Interfaces for remote control (CDS-K)
- # IP Grade: IP67
- # Available in two versions:
 - o Standard: bollard will open in case of power loss
 - o Security SCT: bollard will stay up even in case of power loss. It is possible to lower the bollard by means of a security mechanical key.



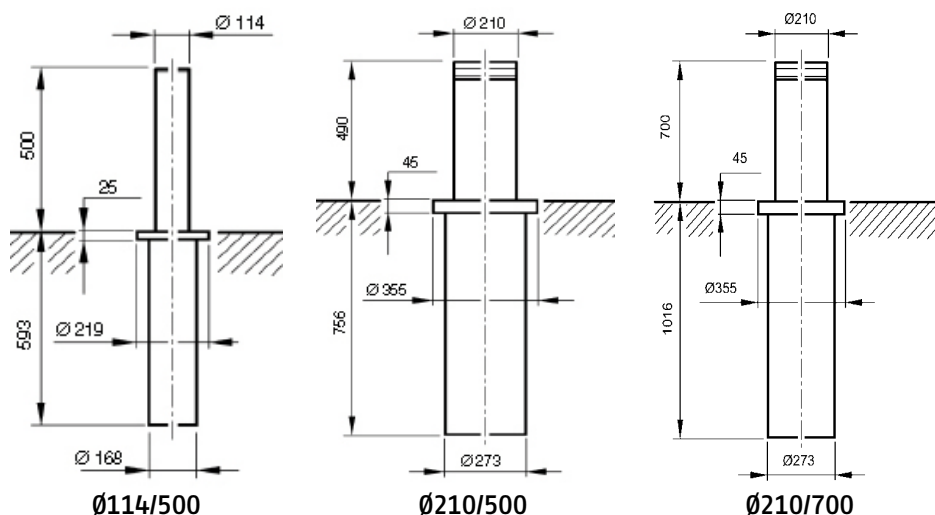
Scudo G Manual Bollards



SCUDO-G, operated by gas springs, are born with the purpose of road access controlling at a good price and with an extremely simple. Are operated by specific keys already used throughout Europe in public offices. It changes by pressing a foot and stops automatically as it goes. Due to its size and appearance the same, you can pair with mixed installations to cover large managed just steps from bumps electric and gas.

These models are available in painted stem colour grey RAL 7002, with H:100 mm light reflectant paper or stainless steel AISI 304 stem.

General overall size



Technical characteristics

- # SCUDO-G, operated by gas springs for controlling road access
- # Very easy to fit
- # Operated by specific keys, already used throughout Europe in public offices
- # changes by pressing a foot and stops automatically as it goes
- # Due to its size and appearance the same, can be paired with mixed installations to cover large managed just steps from bumps electric and gas.
- # Models available in painted stem colour grey RAL 7002, with H:100 mm light reflectant paper or stainless steel AISI 304 stem.
- # Break in resistance upto 400,000 Joule.





Partial Project Reference

to name a few...

www.somfy.co.in

Somfy India Pvt. Ltd.

NEW DELHI

CORPORATE & DELHI OFFICE

26, First Floor, (Front Side)

Okhla Industrial Estate, Phase - III

New Delhi - 110020

Tel.: +91 11 46 11 15 55

Fax.: +91 11 46 11 15 00

Email: india@somfy.co.in

BANGALORE

No 318-319, 3rd Floor, B-Wing.

Mittal Towers, MG Road,

Bangalore - 560001

Tel: 91 80 40 26 92 55

MUMBAI

8th Floor, 804-805,

Pranik Chambers, A Wing,

Saki Naka, Opp. to HP Petrol Pump,

Andheri(East) - 400072

Tel: 91 22 65 56 39 90

LOCAL PRESENCE

AHMEDABAD

KOLKATA

CHANDIGARH

somfy[®]

Our group companies

